

## Explosion Proof Signal Light



### Product

Φ300 Red And Green Full Plate Two In One

Model : EX-JD300-3-15-2C

### Explosion Proof Mark

Ex d IIB T6 G6/ EX t DA 21 IP65 T80°C

### Features

- Low Power Consumption
- Novel Structure, Beautiful Appearance
- Large Viewing Angle
- Long Life
- Multiple Seals, Waterproof
- Unique Optical System, Uniform Color
- Long Viewing Distance
- Comply With ATEX EN60079,GB/14887-2003 Standards

### Technical Parameters

- Red full plate: 90 LEDs  
Single brightness: 2500~4000,  
Wavelength:  $630 \pm 5\text{nm}$ ,  
Left and right up and down viewing angle:  $30^\circ$   
Power:  $\leq 20\text{W}$
- Green full plate: 90 LEDs  
Single brightness: 4000~5600,

Wavelength:  $505 \pm 5\text{nm}$

Left and right up and down viewing angle:  $30^\circ$

Power:  $\leq 20\text{w}$

- Ambient temperature:  $-40^\circ\text{C} \sim +80^\circ\text{C}$
- Working voltage: AC185V-265V 60HZ/50HZ
- Light box shell material: Carbon Steel
- Light set size (mm): 350x350x180
- IP level: IP65
- Visual distance  $\geq 300\text{m}$

### Reference Pictures



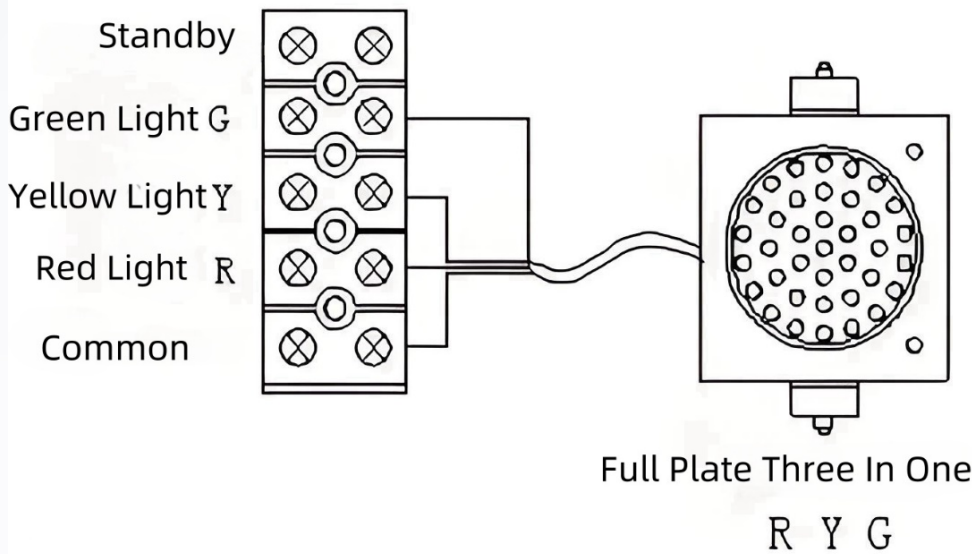
WINNEX

## Real Explosion Proof Light Pictures



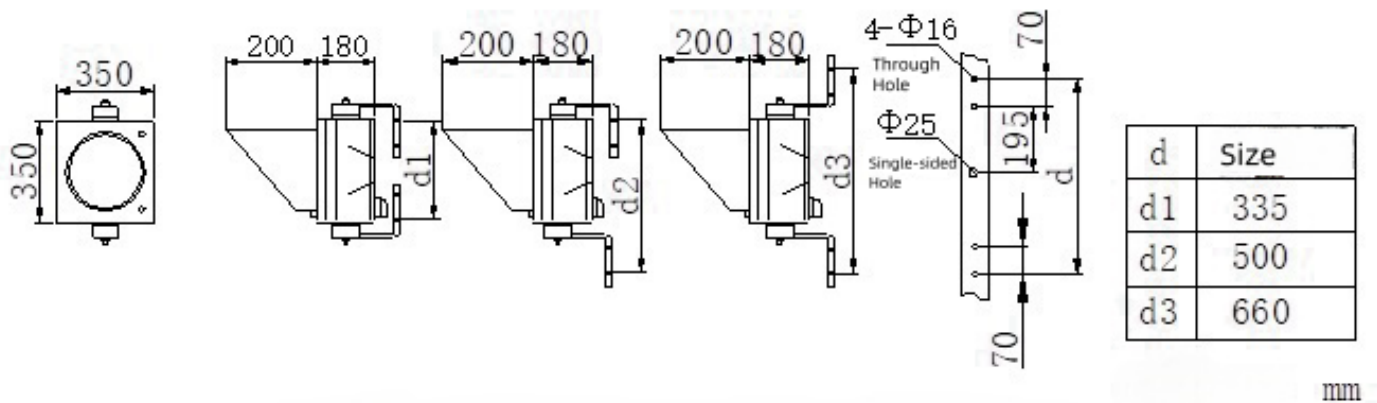
*INNEX*

## Wiring Diagram



Brown Wire: Common    Red Wire: Red Light    Yellow Wire: Yellow Light    Blue Wire: green light

## Installation Dimensions



## Elevation

(with Deck boards)

side elevation  
(1)

side elevation  
(3)

side elevation  
(3)

Light pole installation  
Holes Chart

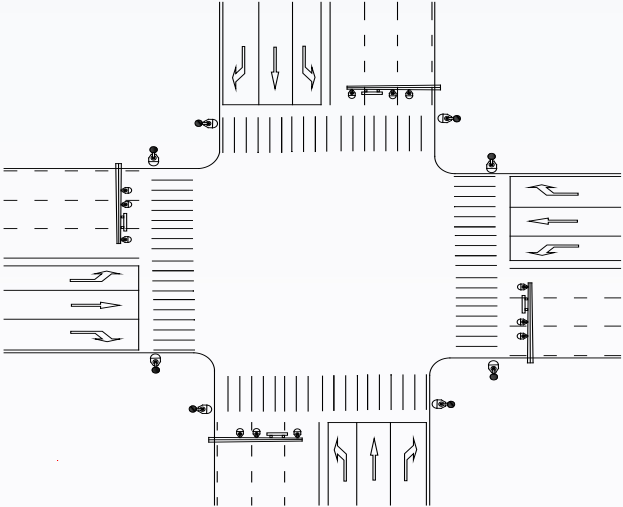
## Packing

Model	Packing	Qty	N. Weight	G. Weight	Packing Materials	Volume
EX-JD300-3-15-2C	0.52*0.40*0.29m	1	50KG	60KG	Plywood Box	0.1m3

## Packing List

Item	Light	L-Bracket	Edge cover	M4x10 Large Pan Head Self-tapping Screws	Manual Book	Certificate
Qty	1	2	1	4	1	1

Traffic light intersection effect



N

