

Explosion Proof Signal Light



Product

Red And Green Full Plate Two Units

Model : EX- JD300-3-25-2A

Explosion Proof Mark

Ex d IIB T6 G6/ EX t DA 21 IP65 T80°C

Features

- Low Power Consumption
- Novel Structure, Beautiful Appearance
- Large Viewing Angle
- Long Life
- Multiple Seals, Waterproof
- Unique Optical System, Uniform Color
- Long Viewing Distance
- Comply With ATEX EN60079,GB/14887-2003 Standards

Technical Parameters

- Red full plate: 90 LEDs
Single brightness: 2500~4000,
Wavelength: $630 \pm 5\text{nm}$,
Left and right up and down viewing angle: 30°
Power: $\leq 20\text{W}$
- Green full plate: 90 LEDs
Single brightness: 4000~5600,

Wavelength: $505 \pm 5\text{nm}$

Left and right up and down viewing angle: 30°

Power: $\leq 20\text{w}$

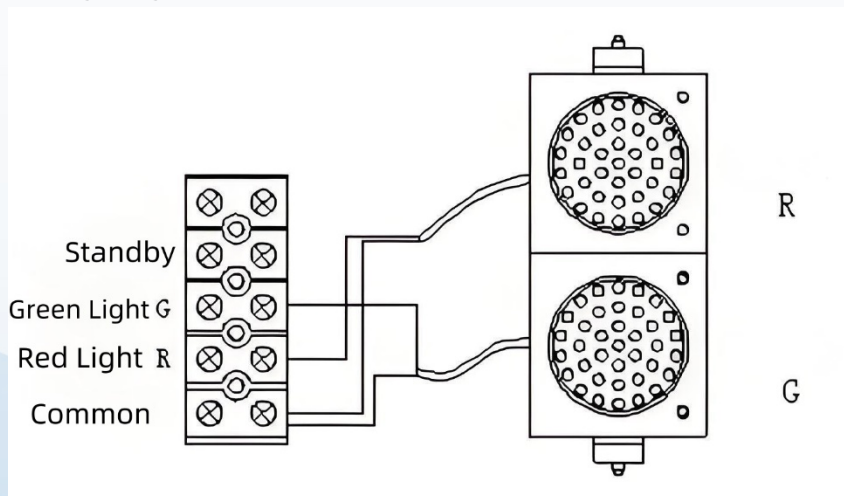
- Ambient temperature: $-40^\circ\text{C} \sim +80^\circ\text{C}$
- Working voltage: AC185V-265V 60HZ/50HZ
- Light box shell material: Carbon Steel
- Light set size (mm): 700x350x180
- IP level: IP65
- Visual distance $\geq 300\text{m}$

Reference Pictures



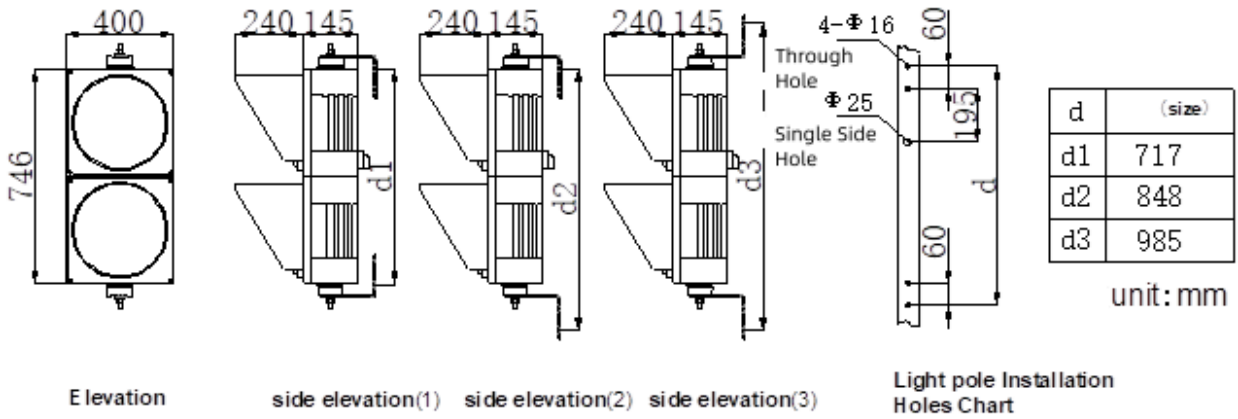
WINNEX

Wiring Diagram



Black Wire: Common Red Wire: Red Light Green Wire: green light

Installation Dimensions



Packing

Model	Packing	Qty	N. Weight	G. Weight	Packing Materials	Volume
EX-JD300-3-25-2A	0.87*0.47*0.29	1	80KG	91KG	Plywood Box	0.1m3

Packing List

Item	Light	L-Bracket	Edge cover	M4x10 Large Pan Head Self-tapping Screws	Manual Book	Certificate
Qty	1	2	1	8	1	1

Traffic light intersection effect

