

## Adaptor HAD

Technical data	
Marking according to 2014/34/EU	Ex II 2 GD Ex db IIC Gb Ex II 2 GD Ex eb IIC Gb Ex II 2 GD Ex tb IIIC Db
EC-Type Examination Certificate	DNV 22 ATEX 62580X
IECEX Certificate of Conformity	IECEX DNV 22.0091X
IECEX marking	Ex db IIC Gb Ex eb IIC Gb Ex tb IIIC Db
Type of protection	Ex d, Ex e, Ex t
Permissible ambient temperature	-55°C to +160°C
Protection rating	IP66 / IP68 (1.5 m, 2 h)
Material	Nickel plated brass*, stainless steel 316L, brass, electroless nickel plated*

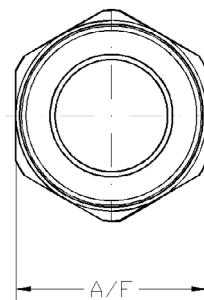
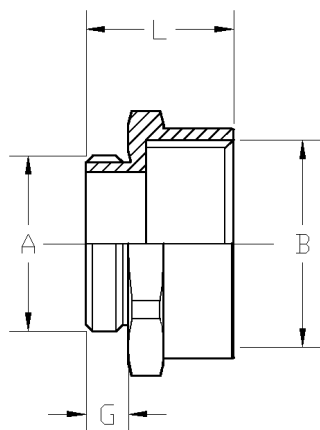
\* - Available only on special order

## Metric to metric adaptor

"A"	"B"	"L"	"A/F"	"G"	Ordering code
M16x1.5	M20x1.5	34	25	16	HAD 0M1M
M16x1.5	M25x1.5	34	30	16	HAD 0M2M
M20x1.5	M20x1.5	34	25	16	HAD 1M1M
M20x1.5	M25x1.5	34	30	16	HAD 1M2M
M20x1.5	M32x1.5	34	36	16	HAD 1M3M
M25x1.5	M25x1.5	34	30	16	HAD 2M2M
M25x1.5	M32x1.5	34	36	16	HAD 2M3M
M25x1.5	M40x1.5	34	45	16	HAD 2M4M
M25x1.5	M50x1.5	34	55	16	HAD 2M5M
M32x1.5	M32x1.5	34	36	16	HAD 3M3M
M32x1.5	M40x1.5	34	45	16	HAD 3M4M
M32x1.5	M50x1.5	34	55	16	HAD 3M5M
M40x1.5	M40x1.5	34	45	16	HAD 4M4M
M40x1.5	M50x1.5	34	55	16	HAD 4M5M
M40x1.5	M63x1.5	34	68	16	HAD 4M6M
M40x1.5	M75x1.5	39	80	16	HAD 4M7M
M50x1.5	M50x1.5	34	55	16	HAD 5M5M
M50x1.5	M63x1.5	36	68	16	HAD 5M6M
M50x1.5	M75x1.5	39	80	16	HAD 5M7M
M63x1.5	M63x1.5	34	68	16	HAD 6M6M
M63x1.5	M75x1.5	39	80	16	HAD 6M7M
M63x1.5	M90x1.5	39	95	16	HAD 6M8M
M75x1.5	M75x1.5	44	80	20	HAD 7M7M
M75x1.5	M90x1.5	44	95	20	HAD 7M8M
M75x1.5	M100x1.5	44	105	20	HAD 7M9M
M90x1.5	M90x1.5	44	95	20	HRD 8M8M

## Metric to NPT adaptor

"A"	"B"	"L"	"A/F"	"G"	Ordering code
M16x1.5	3/8" NPT	34	20	16	HAD 0M0N
M16x1.5	1/2" NPT	37	25	16	HAD 0M1N
M16x1.5	3/4" NPT	37	30	16	HAD 0M2N
M20x1.5	1/2" NPT	37	25	16	HAD 1M1N
M20x1.5	3/4" NPT	37	30	16	HAD 1M2N
M20x1.5	1" NPT	41	36	16	HAD 1M3N
M25x1.5	3/4" NPT	37	30	16	HAD 2M2N
M25x1.5	1" NPT	41	36	16	HAD 2M3N
M25x1.5	1.1/4" NPT	41	45	16	HAD 2M4N
M32x1.5	1" NPT	41	36	16	HAD 3M3N
M32x1.5	1.1/4" NPT	41	45	16	HAD 3M4N
M32x1.5	1.1/2" NPT	43	55	16	HAD 3M5N
M40x1.5	1.1/4" NPT	41	45	16	HAD 4M4N
M40x1.5	1.1/2" NPT	43	55	16	HAD 4M5N
M40x1.5	2" NPT	43	65	16	HAD 4M6N
M50x1.5	1.1/2" NPT	43	55	16	HAD 5M5N
M50x1.5	2" NPT	43	65	16	HAD 5M6N
M50x1.5	2.1/2" NPT	47	80	16	HAD 5M7N
M63x1.5	2" NPT	43	68	16	HAD 6M6N
M63x1.5	2.1/2" NPT	47	80	16	HAD 6M7N
M63x1.5	3" NPT	47	95	16	HAD 6M8N
M75x1.5	2.1/2" NPT	52	80	20	HAD 7M7N
M75x1.5	3" NPT	52	95	20	HAD 7M8N
M75x1.5	4" NPT	54	120	20	HAD 7M9N
M90x1.5	3" NPT	52	95	20	HAD 8M8N
M90x1.5	4" NPT	54	120	20	HAD 8M9N
M100x1.5	4" NPT	54	120	20	HAD 9M9N



## NPT to metric adaptor

"A"	"B"	"L"	"A/F"	"G"	Ordering code
3/8" NPT	M16x1.5	33	25	16	HAD 0N0M
3/8" NPT	M20x1.5	33	25	16	HAD 0N1M
1/2" NPT	M20x1.5	38	25	21	HAD 1N1M
1/2" NPT	M25x1.5	39	30	21	HAD 1N2M
1/2" NPT	M32x1.5	39	36	21	HAD 1N3M
3/4" NPT	M25x1.5	39	30	21	HAD 2N2M
3/4" NPT	M32x1.5	39	36	21	HAD 2N3M
3/4" NPT	M40x1.5	39	45	21	HAD 2N4M
1" NPT	M32x1.5	44	36	26	HAD 3N3M
1" NPT	M40x1.5	44	45	26	HAD 3N4M
1" NPT	M40x1.5	44	55	26	HAD 3N5M
1.1/4" NPT	M40x1.5	44	45	26	HAD 4N4M
1.1/4" NPT	M50x1.5	44	55	26	HAD 4N5M
1.1/4" NPT	M63x1.5	44	68	26	HAD 4N6M
1.1/2" NPT	M50x1.5	45	55	27	HAD 5N5M
1.1/2" NPT	M63x1.5	45	68	27	HAD 5N6M
1.1/2" NPT	M75x1.5	50	80	27	HAD 5N7M
2" NPT	M63x1.5	48	68	28	HAD 6N6M
2" NPT	M75x1.5	51	80	28	HAD 6N7M
2" NPT	M90x1.5	51	95	28	HAD 6N8M
2.1/2" NPT	M75x1.5	65	80	41	HAD 7N7M
2.1/2" NPT	M90x1.5	65	95	41	HAD 7N8M
2.1/2" NPT	M100x1.5	66	105	41	HAD 7N9M
3" NPT	M90x1.5	66	95	42	HAD 8N8M
3" NPT	M100x1.5	66	105	42	HAD 8N9M
4" NPT	M100x1.5	70	120	45	HAD 9N9M

## NPT to NPT adaptor

"A"	"B"	"L"	"A/F"	"G"	Ordering code
3/8" NPT	1/2" NPT	37	25	16	HAD 0N1N
3/8" NPT	3/4" NPT	42	30	21	HAD 0N2N
1/2" NPT	1/2" NPT	42	36	21	HAD 1N1N
1/2" NPT	3/4" NPT	42	36	21	HAD 1N2N
3/4" NPT	3/4" NPT	42	45	21	HAD 2N2N
3/4" NPT	1" NPT	46	45	21	HAD 2N3N
1" NPT	1" NPT	51	45	26	HAD 3N3N
1" NPT	1.1/4" NPT	51	55	26	HAD 3N4N
1" NPT	1.1/2" NPT	53	55	26	HAD 3N5N
1.1/4" NPT	1.1/4" NPT	51	55	26	HAD 4N4N
1.1/4" NPT	1.1/2" NPT	53	55	26	HAD 4N5N
1.1/4" NPT	2" NPT	53	68	26	HAD 4N6N
1.1/2" NPT	1.1/2" NPT	54	68	27	HAD 5N5N
1.1/2" NPT	2" NPT	54	68	27	HAD 5N6N
1.1/2" NPT	2.1/2" NPT	58	68	27	HAD 5N7N
2" NPT	2" NPT	55	80	28	HAD 6N6N
2" NPT	2.1/2" NPT	59	80	28	HAD 6N7N
2" NPT	3" NPT	59	80	28	HAD 6N8N
2.1/2" NPT	2.1/2" NPT	73	80	41	HAD 7N7N
2.1/2" NPT	3" NPT	73	80	41	HAD 7N8N
2.1/2" NPT	4" NPT	73	95	41	HAD 7N9N
3" NPT	3" NPT	74	95	42	HAD 8N8N
3" NPT	4" NPT	74	120	42	HAD 9N9N

## Product coding

HAD	2M	1N	N		
<b>Code</b>	<b>Male thread size</b>		<b>Female thread size</b>	<b>Material</b>	
HAD	<b>Metric</b>	<b>NPT</b>	<b>Metric</b>	<b>NPT</b>	N - Nickel plated brass*
	0M - M16	0N - 3/8"	0M - M16	0N - 3/8"	S - SS316L
	1M - M20	1N - 1/2"	1M - M20	1N - 1/2"	B - Brass
	2M - M25	2N - 3/4"	2M - M25	2N - 3/4"	E - Electroless nickel plated*
	3M - M32	3N - 1"	3M - M32	3N - 1"	
	4M - M40	4N - 1.1/4"	4M - M40	4N - 1.1/4"	
	5M - M50	5N - 1.1/2"	5M - M50	5N - 1.1/2"	
	6M - M63	6N - 2"	6M - M63	6N - 2"	
	7M - M75	6N - 2.1/2"	7M - M75	6N - 2.1/2"	
	8M - M90	8N - 3"	8M - M90	8N - 3"	
	9M - M100	9N - 4"	9M - M100	9N - 4"	

\* - Available only on special order