

# DATASHEET - SD 125 Ex SOUNDER / HORN

## AUDIBLE & VISUAL SIGNALLING EQUIPMENT



### DESCRIPTION - SD 125 Ex SOUNDER / HORN

This sounder is certified for use in Atex/explosive atmosphere, zone 1 & 2 for gas and zone 21 & 22 for dust. It is dedicated for Oil & Gas, chemical, petrochemical, pharmacy industries, marine and Offshore applications. It's designed for corrosive environments and hazardous area.

This sounder, according to user control system, can be set with one tone among 59 prerecorded tones.

Optional it is possible to control the sounder via a telephone line.

Housing is made of stainless steel 316L covered with UV resistant paint.

A complete range of accessories is available to customize a products. (see accessories annex)



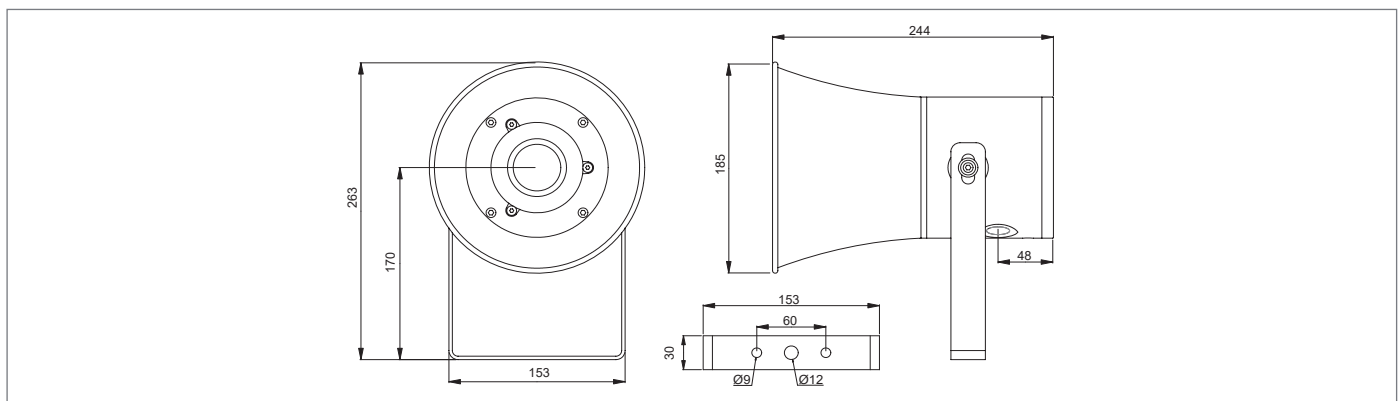
- zone 1 & 2
- zone 21 & 22

### PRODUCT CODE CONFIGURATOR

VOLTAGE	DUTY LABEL	TAG LABEL	CABLE ENTRY	FINISH COLOUR	TELEPHONE INITIATED
<b>DC</b> 12 .. 48V DC	<b>Y = YES</b>	<b>Y = YES</b>	<b>A = M20</b>	<input checked="" type="checkbox"/> <b>RD = RED</b>	<b>Y = YES</b>
<b>AC1</b> 12..48V AC			<b>B = M25</b>	<input checked="" type="checkbox"/> <b>YW = YELLOW</b>	
<b>AC</b> 100 .. 240V AC	<b>N = NO</b>	<b>N = NO</b>	<b>C = 1/2" NPT</b>	<input checked="" type="checkbox"/> <b>BU = BLUE</b>	<b>N = NO</b>
<b>OR</b> (OTHER REQUEST)			<b>D = 3/4" NPT</b>	<input checked="" type="checkbox"/> <b>BL = BLACK</b>	

### ADD THE CODES RELATED TO THE FEATURES REQUIRED TO SD125:

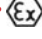
--	--	--	--	--	--



# DATASHEET - SD 125 Ex SOUNDER /HORN

## AUDIBLE & VISUAL SIGNALLING EQUIPMENT

### TECHNICAL DATA

<b>MATERIAL</b>	• <b>ENCLOSURE &amp; BRACKET:</b> Stainless Steel 316L
<b>COLOUR</b>	• <b>RED</b> : RAL 3001 - <b>YELLOW**</b> : RAL1018 - <b>BLUE**</b> : RAL5005 - <b>BLACK**</b> : RAL9005
<b>INGRESS PROTECTION</b>	• IP66/67
<b>AMBIENT TEMPERATURE FOR OPERATION</b>	• <b>T6</b> = - 40°C ~ + 55°C , <b>T5</b> = - 40°C ~ + 60°C, <b>T4</b> = - 40°C ~ + 70°C
<b>CERTIFICATION</b>	• <b>Nemko</b> 13 ATEX 1562X, IECEX NEM 13.0032X
<b>EX CODE</b>	•  II 2 GD Ex d IIC T4 ~ T6 Gb, Ex tb IIIC T135°C ~T85°C,
<b>STANDARD</b>	• EN / IEC 60079-0, EN / IEC 60079-1, EN / IEC 60079-31, EN 54-3
<b>ATEX AREA ZONE</b>	• <b>Gas zone:</b> 1 & 2 <b>Dust zone:</b> 21 & 22
<b>AMBIENT HUMIDITY*</b>	• until 95%*
<b>POWER SUPPLY</b>	• 12-48V DC • 12-48V AC (50/60hz) • 100-240V AC (50/60hz)
<b>RATED IMPULSE WITHSTAND VOLTAGE</b>	• 1kV following IEC 61000-4-5
<b>CONSUMPTION</b>	• Adjustable from 5 to 25 W (factory setting 20W)
<b>CURRENT CONSUMPTION</b>	• 0.5 to 1 A
<b>SIGNALLING TYPE</b>	• 59 tones siren. Specific customer tones can be recorded in factory
<b>NOISE LEVEL</b>	• Until 115 dB at 1 m
<b>CABLES ENTRY</b>	• 2 x M20, M25**, 1/2" NPT**, 3/4" NPT** or other** (Specify)
<b>TERMINAL</b>	• From 22 to 14 AWG - from 0.50 mm <sup>2</sup> to 2.5 mm <sup>2</sup>
<b>NET WEIGHT</b>	• 6.2 Kg
<b>EXTERNAL TRIGGER**</b>	• 25Hz <f<50Hz 40V<u<100V Z = 2k Ohms

\* = without runoff - \*\* = optional - cable gland and blind plug not provided