

# DATASHEET - SB 125-1 Ex SOUNDER / BEACON

## AUDIBLE & VISUAL SIGNALLING EQUIPMENT



### DESCRIPTION - SB 125-1 Ex SOUNDER / BEACON

This combined is certified for use in Atex/explosive atmosphere, zone 1 & 2 for gas and zone 21 & 22 for dust. It is dedicated for Oil & Gas, chemical, petrochemical, pharmacy industries, marine and Offshore applications. It's designed for corrosive environments and hazardous area.

This sounder, according to user control system, can be set with one tone among 59 prerecorded tones.

The beacon can be delivered with two different light sources; LED with steady, rotary, fixed or blinking led of different powers. Flashing with XENON tube of different powers.

Four flashing frequencies are selectable.

Optional it is possible to control the beacon and the sounder or separately via a telephone line.



- zone 1 & 2
- zone 21 & 22

Housing is made of stainless steel 316L covered with UV resistant paint.

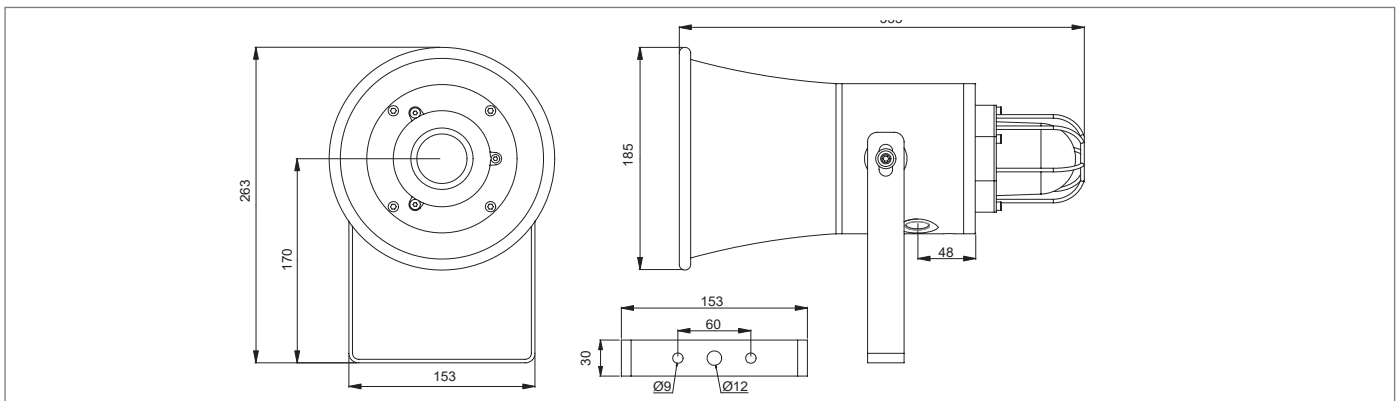
A complete range of accessories is available to customize a products. (see accessories annex)

### PRODUCT CODE CONFIGURATOR

LENS COLOUR	TYPE	POWER	VOLTAGE	DUTY LABEL	TAG LABEL	LENS GUARD	CABLE ENTRY	FINISH COLOUR	TELEPHONE INITIATED
<input checked="" type="checkbox"/> R = RED	X = XENON	<b>05</b> LED: 5W XENON: 5J	<b>DC</b> 12 .. 48V DC	Y = YES	Y = YES	Y = YES	<b>A</b> = M20	<input checked="" type="checkbox"/> RD = RED	Y = YES
<input checked="" type="checkbox"/> A = AMBER		<b>10</b> LED: 10W XENON: 10J	<b>AC1</b> 12..48V AC				<b>B</b> = M25	<input checked="" type="checkbox"/> YW = YELLOW	
<input checked="" type="checkbox"/> B = BLUE		<b>15</b> XENON: 15J	<b>AC</b> 100 .. 240V AC				<b>C</b> = 1/2" NPT	<input checked="" type="checkbox"/> BU = BLUE	
<input checked="" type="checkbox"/> G = GREEN	L = LED	<b>21</b> XENON: 21J	<b>OR</b> (OTHER REQUEST)	N = NO	N = NO	N = NO	<b>D</b> = 3/4" NPT	<input checked="" type="checkbox"/> BL = BLACK	N = NO
<input checked="" type="checkbox"/> C = CLEAR							<input type="checkbox"/> OR = OTHER ON REQUEST		

### ADD THE CODES RELATED TO THE FEATURES REQUIRED TO SB125-1:


--	--	--	--	--	--	--	--	--	--



# DATASHEET - SB 125-1 Ex SOUNDER /BEACON

## AUDIBLE & VISUAL SIGNALLING EQUIPMENT

### TECHNICAL DATA

<b>MATERIAL</b>	• <b>ENCLOSURE &amp; BRACKET:</b> Stainless steel 316L	• <b>LENS:</b> Tempered borosilicate glass 3.3
<b>COLOUR</b>	• <b>RED :</b> RAL 3001 - <b>YELLOW** :</b> RAL1018 - <b>BLUE** :</b> RAL5005 - <b>BLACK** :</b> RAL9005	
<b>INGRESS PROTECTION</b>	• IP66/67	
<b>AMBIENT TEMPERATURE FOR OPERATION</b>	• <b>T6</b> = - 40°C ~ + 55°C , <b>T5</b> = - 40°C ~ + 60°C, <b>T4</b> = - 40°C ~ + 70°C	
<b>CERTIFICATION</b>	• <b>Nemko</b> 13 ATEX 1566X, IECEx NEM 13.0036X	
<b>EX CODE</b>	•  II 2 GD Ex d IIC T4 ~ T6 Gb, Ex tb IIIC T135°C ~T85°C,	
<b>STANDARD</b>	• EN / IEC 60079-0, EN / IEC 60079-1, EN / IEC 60079-31, EN 54-3	
<b>ATEX AREA ZONE</b>	• <b>Gas zone:</b> 1 & 2 <b>Dust zone:</b> 21 & 22	
<b>CANDELA LENS COLOR</b>	• <b>Red:</b> 0.15 • <b>Amber:</b> 0.51 • <b>Blue:</b> 0.12 • <b>Green:</b> 0.49 • <b>Clear:</b> 1	
<b>LIGHT TYPE</b>	<b>Flash tube (XENON)</b> <span style="float: right;"><b>LED</b></span>	
<b>TRUE LIGHT INTENSITY</b>	• <b>5 joules</b> = 109 Cd • <b>10 joules</b> = 293 Cd • <b>15 joules</b> = 395 cd • <b>21 joules</b> = 424 Cd	• <b>5 W</b> = 128 Cd • <b>10W</b> = 312 Cd
<b>PEAK LIGHT INTENSITY</b>	• <b>5 joules</b> = 35970 Cd • <b>10 joules</b> = 66804 Cd • <b>15 joules</b> = 83345 Cd • <b>21 joules</b> = 95824 Cd	
<b>TIME LIFE</b>	• Emissions are reduced to 70% after 8 million flashes	• >50 000 hours without luminosity decreasing
<b>BLINKING OR ROTARY FREQUENCY</b> (0 = steady status)	• 60/80/120 times/min • 100/120/150 times/min • 120/150/180 times/min	• 60/75/0 times/min • 60/75/100 times/min • 75/95/0 times/min • 75/95/120 times/min
<b>CONSUMPTION BEACON</b>	• <b>5 Joules</b> = 10W • <b>10 Joules</b> = 15W • <b>15 Joules</b> = 20W • <b>21 Joules</b> = 25W	• <b>5W</b> • <b>10W</b>
<b>AMBIENT HUMIDITY*</b>	• until 95%*	
<b>POWER SUPPLY</b>	• 12-48V DC	• 12-48V AC (50/60hz) • 100-240V AC (50/60hz)
<b>RATED IMPULSE WITHSTAND VOLTAGE</b>	• 1kV following IEC 61000-4-5	
<b>WORKING CURRENT LED</b>	• <b>Power</b>	<b>12V DC</b> <b>24V DC</b> <b>48V DC</b> <b>110V AC</b> <b>220V AC</b>
	• <b>5W</b>	530 mA    260 mA    120 mA    80 mA    40 mA
	• <b>10W</b>	1100 mA    530 mA    240 mA    160 mA    80 mA
<b>WORKING CURRENT XENON</b>	• <b>Energy</b>	<b>12V DC</b> <b>24V DC</b> <b>48V DC</b> <b>110V AC</b> <b>220V AC</b>
	• <b>5J</b>	460 mA    280 mA    140 mA    60 mA    35 mA
	• <b>10J</b>	850 mA    490 mA    250 mA    100 mA    60 mA
	• <b>15J</b>	1200 mA    700 mA    360 mA    140 mA    80 mA
	• <b>21J</b>	NA    960 mA    480 mA    180 mA    110 mA
<b>CONSUMPTION SOUNDER</b>	• Adjustable from 5 to 25W (factory setting 20W)	
<b>CURRENT CONSUMPTION</b>	• 0.5 to 1 A	
<b>SIGNALLING TYPE</b>	• 59 tones siren. Specific customer tones can be recorded in factory	
<b>NOISE LEVEL</b>	• Until 115 dB at 1m	
<b>CABLES ENTRY</b>	• 2 x M20, M25**, 1/2" NPT**, 3/4" NPT** or other** (Specify)	
<b>TERMINAL</b>	• From 22 to 14 AWG - from 0.50 mm <sup>2</sup> to 2.5 mm <sup>2</sup>	
<b>NET WEIGHT</b>	• 8.0 Kg	
<b>EXTERNAL TRIGGER**</b>	• 25Hz <f<50Hz    40V<u<100V    Z = 2k Ohms	

\* = without runoff - \*\* = optional - cable gland and blind plug not provided

### MEANING OF LENS COLOR USAGE IN THE INTERNATIONAL STANDARD (IEC 60073)

COLOR	MEANING	ACTION	EXAMPLE
■ RED	EMERGENT	Dangerous state Take immediate action	• Pressure/Temperature beyond the safe state - Shutdown due to the action of protective devices - Fire alarm - Equipment failure alarm
■ AMBER	ABNORMAL	Abnormal state, near the critical status	• Pressure/Temperature above the normal range - Protective device released - Toxic and harmful gases release alarm
■ GREEN	SAFE	Normal state	• Pressure/Temperature in normal state - Automatic control system is operating normally
■ BLUE	MANDATORY	Requires operator's action	• Emergency evacuation - Abandon rescue and escape - Abandon platform or abandon ship - Enter the command
■ CLEAR	NO SPECIAL SIGNIFICANCE	If uncertainty for other colors, clear is allowed to be used	• General information - Can't exactly use red, yellow, green or blue - Used for the implementation of command - Indicate the measured values