

DATASHEET - SB 125 SERIES COMBINED PRODUCTS

AUDIBLE & VISUAL SIGNALLING EQUIPMENT



DESCRIPTION - SB 125 series combined

This combined is certified for use in Atex/explosive atmosphere, zone 1 & 2 for gas and zone 21 & 22 for dust. It is dedicated for Oil & Gas, chemical, petrochemical, pharmacy industries, marine and Offshore applications. It's designed for corrosive environments and hazardous area.

This sounder, according to user control system, can be set with one tone among 59 prerecorded tones.

The beacon can be delivered with two different light sources; LED with steady, rotary, fixed or blinking led of different powers. Flashing with XENON tube of different powers. Four flashing frequencies are selectable.

Optional it is possible to control the beacon and the sounder or separately via a telephone line. On demand one of the beacons can be replaced by a push button or a junction box. The set is assembled on a stainless steel 316L frame.

Housing is made of stainless steel 316L covered with UV resistant paint.

A complete range of accessories is available to customize a products. (see accessories annex)

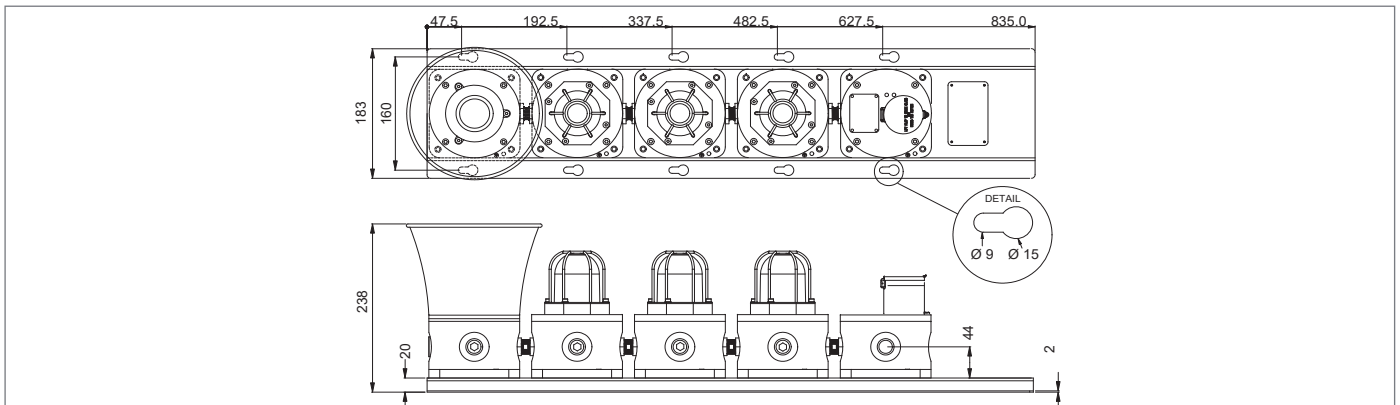


- zone 1 & 2
- zone 21 & 22

PRODUCT CODE CONFIGURATOR										
Combination type	Lens colour	Type	Power	Voltage	Duty label	Tag label	Lens	Cable entry	Finish colour	Tel. init.
2J/P - 1 SOUNDER, 1 BEACON WITH JUNCTION BOX OR PUSH BUTTON	■ R = RED	X = XENON	05 LED: 5W XENON: 5J	DC 12 .. 48V DC	Y = YES	Y = YES	Y = YES	A = M20	■ RD = RED	Y = YES
	■ A = AMBER		10 LED: 10W XENON: 10J	AC1 12..48V AC					■ YW = YELLOW	
3J/P - SOUNDER, 2 BEACONS WITH JUNCTION BOX OR PUSH BUTTON	■ B = BLUE	L = LED	15 XENON: 15J	AC 100 .. 240V AC	N = NO	N = NO	N = NO	C = 1/2" NPT	■ BU = BLUE	N = NO
	■ G = GREEN		21 XENON: 21J	OR (OTHER REQUEST)					■ BL = BLACK	
O - OTHER COMBINATIONS	■ C = CLEAR						D = 3/4" NPT	□ OR = OTHER ON REQUEST		

ADD THE CODES RELATED TO THE FEATURES REQUIRED TO SB125-:


--	--	--	--	--	--	--	--	--	--	--	--



DATASHEET - SB 125 SERIES COMBINED PRODUCTS

AUDIBLE & VISUAL SIGNALLING EQUIPMENT

TECHNICAL DATA

MATERIAL	• ENCLOSURE & FRAME: Stainless steel 316L • LENS: Tempered borosilicate glass 3.3					
COLOUR	• RED : RAL 3001 - YELLOW** : RAL1018 - BLUE** : RAL5005 - BLACK** : RAL9005					
INGRESS PROTECTION	• IP66/67					
AMBIENT TEMPERATURE FOR OPERATION	• T6 = - 40°C ~ + 55°C , T5 = - 40°C ~ + 60°C, T4 = - 40°C ~ + 70°C					
CERTIFICATION	• Nemko 13 ATEX 1566X, IECEx NEM 13.0036X					
EX CODE	•  II 2 GD Ex d IIC T4 ~ T6 Gb, Ex tb IIIC T135°C ~T85°C,					
STANDARD	• EN / IEC 60079-0, EN / IEC 60079-1, EN / IEC 60079-31, EN 54-3					
ATEX AREA ZONE	• Gas zone: 1 & 2 Dust zone: 21 & 22					
CANDELA LENS COLOR	• Red: 0.15 • Amber: 0.51 • Blue: 0.12 • Green: 0.49 • Clear: 1					
LIGHT TYPE	Flash tube (XENON)		LED			
TRUE LIGHT INTENSITY	• 5 joules = 109 Cd • 10 joules = 293 Cd • 15 joules = 395 cd • 21 joules = 424 Cd		• 5 W = 128 Cd • 10W = 312 Cd			
PEAK LIGHT INTENSITY	• 5 joules = 35970 Cd • 10 joules = 66804 Cd • 15 joules = 83345 Cd • 21 joules = 95824 Cd					
TIME LIFE	• Emissions are reduced to 70% after 8 million flashes		• >50 000 hours without luminosity decreasing			
BLINKING OR ROTARY FREQUENCY (0 = steady status)	• 60/80/120 times/min • 100/120/150 times/min • 120/150/180 times/min		• 60/75/0 times/min • 60/75/100 times/min • 75/95/0 times/min • 75/95/120 times/min			
CONSUMPTION BEACON	• 5 Joules = 10W • 10 Joules = 15W • 15 Joules = 20W • 21 Joules = 25W		• 5W • 10W			
AMBIENT HUMIDITY*	• until 95%*					
POWER SUPPLY	• 12-48V DC		• 12-48V AC (50/60hz)		• 100-240V AC (50/60hz)	
RATED IMPULSE WITHSTAND VOLTAGE	• 1kV following IEC 61000-4-5					
WORKING CURRENT LED	Power	12V DC	24V DC	48V DC	110V AC	220V AC
	• 5W	530 mA	260 mA	120 mA	80 mA	40 mA
	• 10W	1100 mA	530 mA	240 mA	160 mA	80 mA
WORKING CURRENT XENON	Energy	12V DC	24V DC	48V DC	110V AC	220V AC
	• 5J	460 mA	280 mA	140 mA	60 mA	35 mA
	• 10J	850 mA	490 mA	250 mA	100 mA	60 mA
	• 15J	1200 mA	700 mA	360 mA	140 mA	80 mA
	• 21J	NA	960 mA	480 mA	180 mA	110 mA
CONSUMPTION SOUNDER	• Adjustable from 5 to 25W (factory setting 20W)					
CURRENT CONSUMPTION	• 0.5 to 1 A					
SIGNALLING TYPE	• 59 tones siren. Specific customer tones can be recorded in factory					
NOISE LEVEL	• Until 115 dB at 1m					
CABLES ENTRY	• 2 x M20, M25**, 1/2" NPT**, 3/4" NPT** or other** (Specify)					
TERMINAL	• From 22 to 14 AWG - from 0.50 mm ² to 2.5 mm ²					
NET WEIGHT	• SB125-2: 11.90 Kg, SB125-3: 16.70 Kg, SB125-4: 20.00 Kg, SB125-5: 25.10 Kg					
EXTERNAL TRIGGER**	• 25Hz <f<50Hz 40V<u<100V Z = 2k Ohms					

* = without runoff - ** = optional - cable gland and blind plug not provided

MEANING OF LENS COLOR USAGE IN THE INTERNATIONAL STANDARD (IEC 60073)

COLOR	MEANING	ACTION	EXAMPLE
■ RED	EMERGENT	Dangerous state Take immediate action	• Pressure/Temperature beyond the safe state - Shutdown due to the action of protective devices - Fire alarm - Equipment failure alarm
■ AMBER	ABNORMAL	Abnormal state, near the critical status	• Pressure/Temperature above the normal range - Protective device released - Toxic and harmful gases release alarm
■ GREEN	SAFE	Normal state	• Pressure/Temperature in normal state - Automatic control system is operating normally
■ BLUE	MANDATORY	Requires operator's action	• Emergency evacuation - Abandon rescue and escape - Abandon platform or abandon ship - Enter the command
■ CLEAR	NO SPECIAL SIGNIFICANCE	If uncertainty for other colors, clear is allowed to be used	• General information - Can't exactly use red, yellow, green or blue - Used for the implementation of command - Indicate the measured values