



Portable Explosion proof Ventilation Fan BCFT series



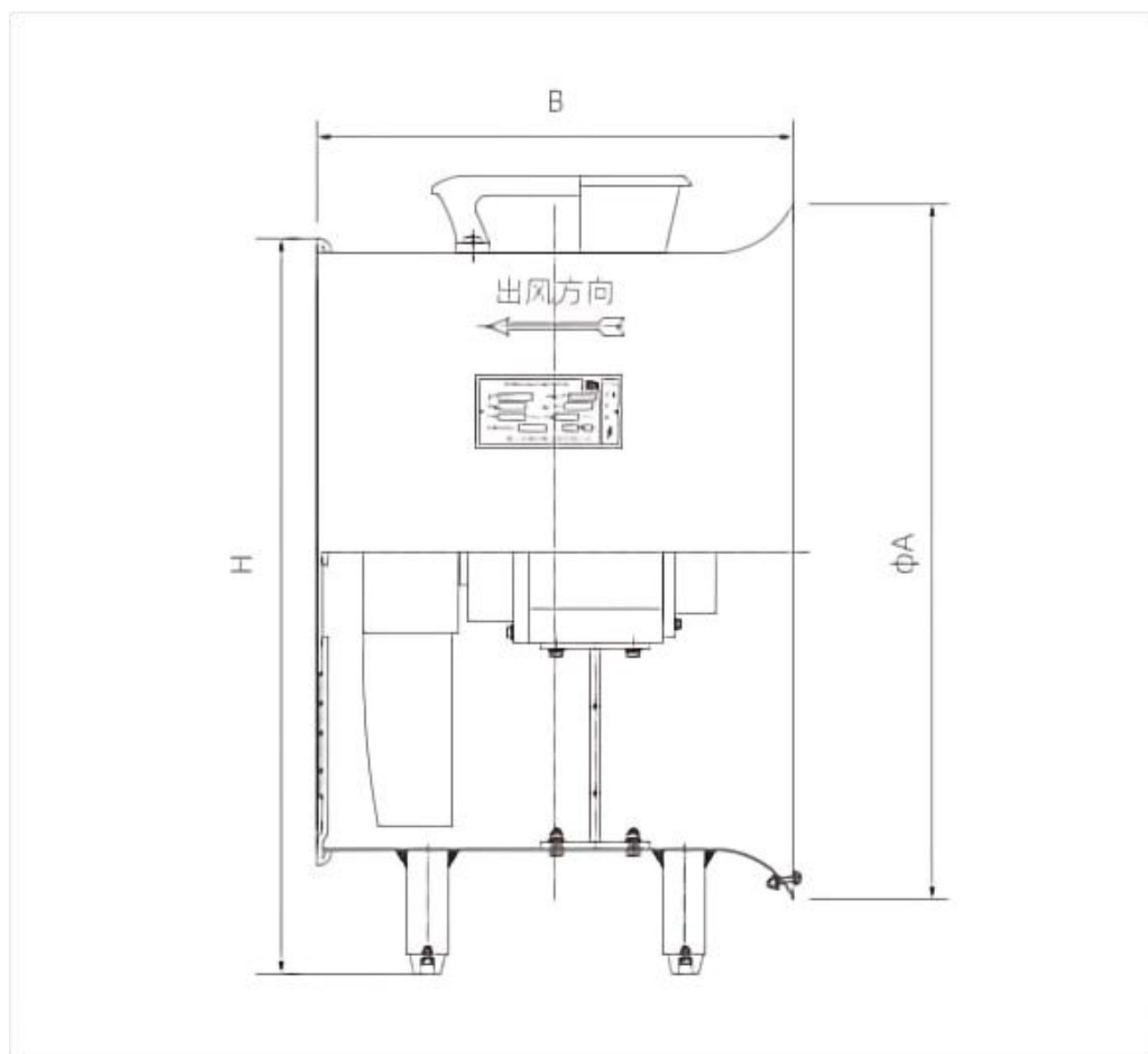
- Pure Copper Motor
 - Aluminum Alloy Blades
 - Heavy Duty Steel Construction
 - Flexible PVC Ducting Included
 - Portable Handle & Rubber Feet
 - Applications
- Ex Rate: Ex d IIB T4 Gb IP55
- Application: Zone 1, 2 & 21, 22

Technical Data

Model No.	Diameter	Volume (m ³ /h)	Static (pa)	Speed (r/min)	Frequency (Hz)	Wattage (kw)
BCFT-200	190	1500-2100	250-420	2800	50/60	0.15
BCFT-250	240	2700-3300	300-450	2800	50/60	0.25
BCFT-300	290	3300-3720	350-500	2800	50/60	0.37
BCFT-350	340	4840-5840	550-600	2800	50/60	0.55
BCFT-400	390	5860-6840	750-800	2800	50/60	0.9
BCFT-500	490	6800-10000	180-200	1450	50/60	0.75

Portable Explosion proof Ventilation Fan BCFT series

Installation size (mm)



Model No.	A	B	H	F	Inner- diameter of duct
BCFT-200	269	345	306	239	210
BCFT-250	329	336	373	292	261
BCFT-300	365	340	405	333	306
BCFT-350	436	368	471	394	364
BCFT-400	470	370	511	434	406
BCFT-500	575	468	628	539	507